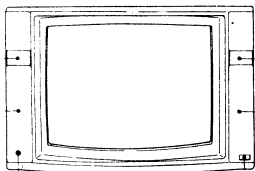


SONY

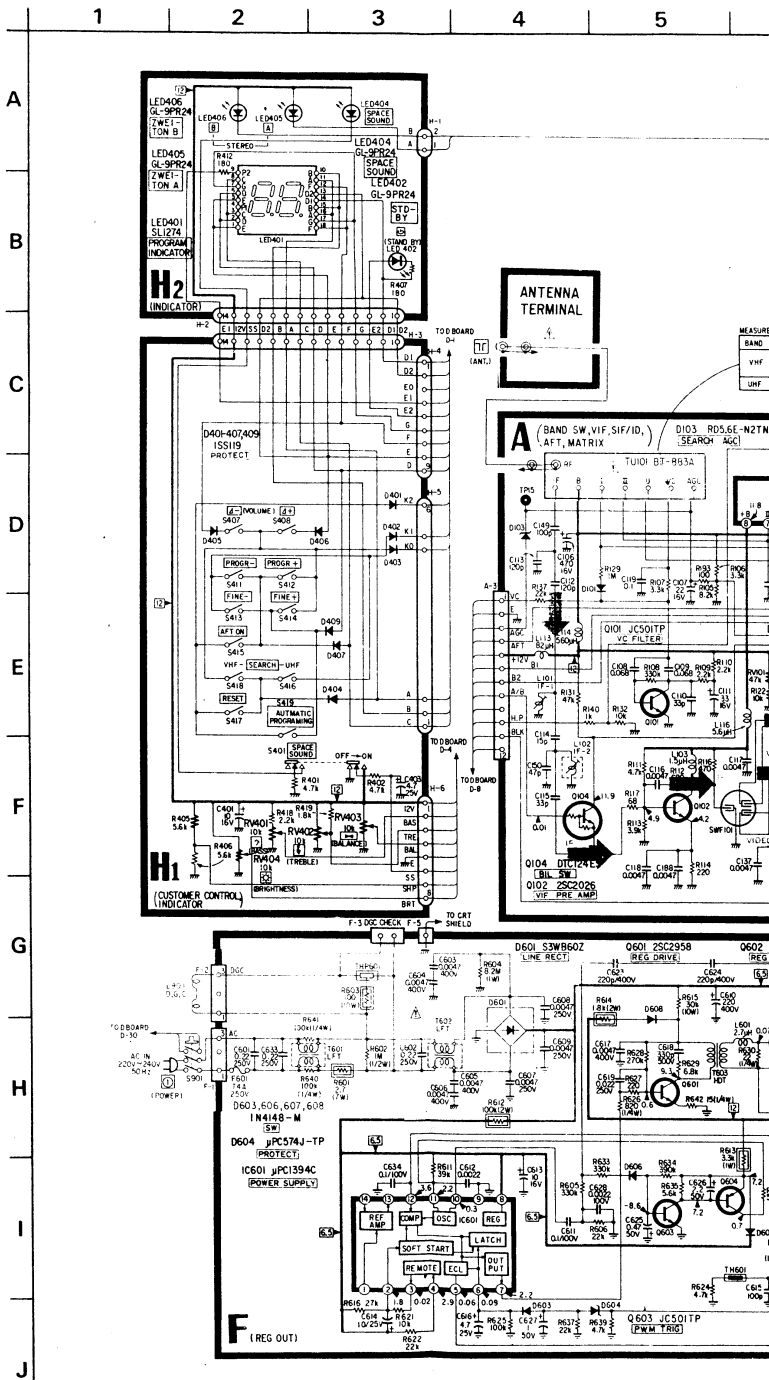
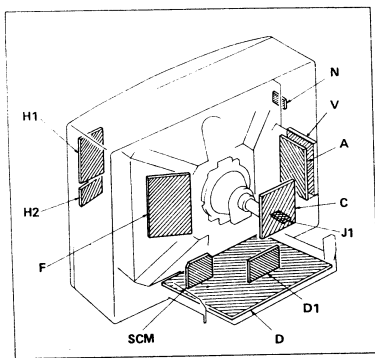
KV-27XSTD

RM-635

RX-2 CHASSIS



CIRCUIT BOARDS LOCATION

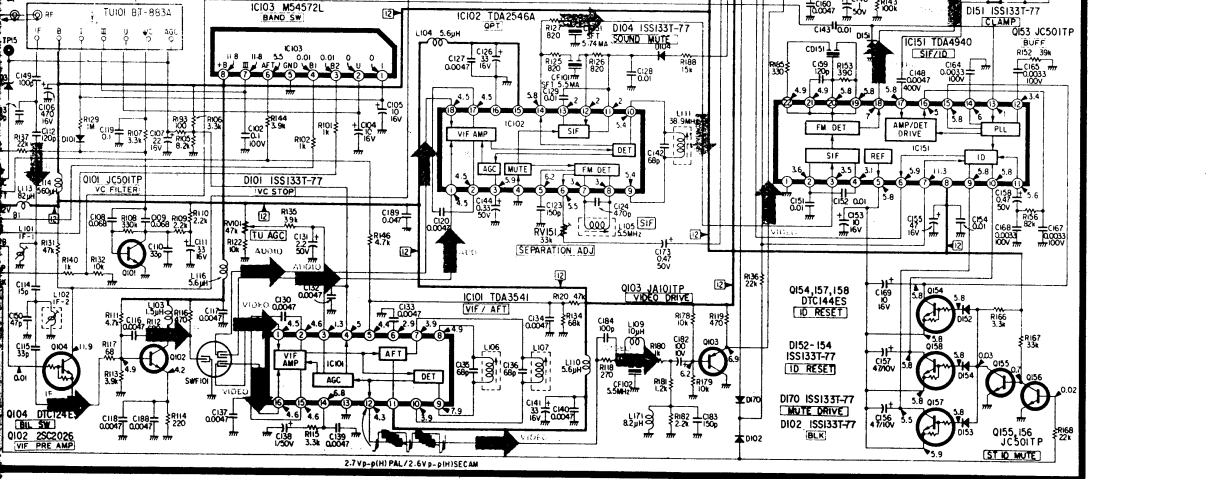


ANTENNA TERMINAL

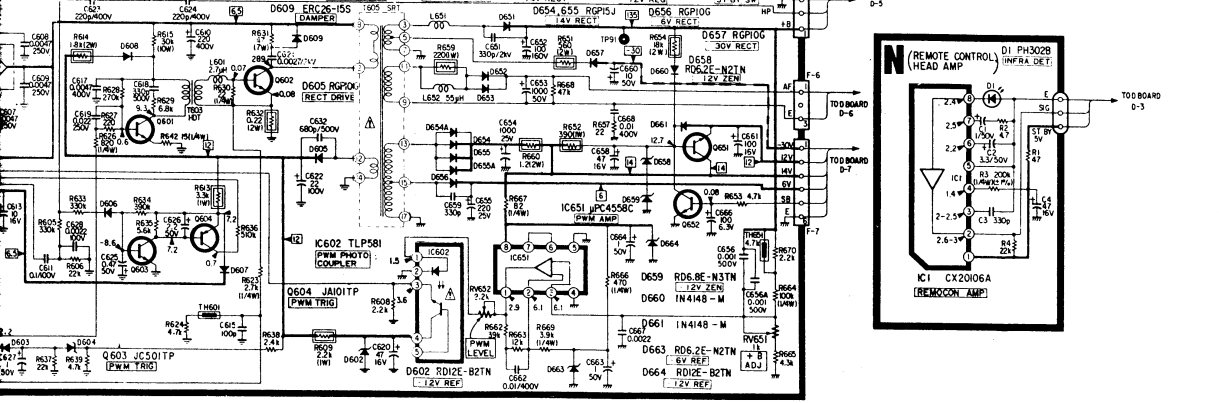
MEASURED USING VTVM

BAND	CHANNEL	VOLTAGE
VHF	E-2 - E-7	1.4V - 22V
VHF	E-3 - E-5	1.3V - 25V
UHF	E-21 - E-48	1.5V - 26V

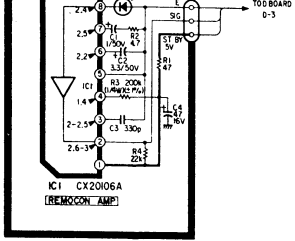
A BAND SW, VIF, SIF/ID, AFT, MATRIX



B01 53W60Z (LINE RECT)



N (REMOTE CONTROL) DI PH302B (INFRA DET)



TO BOARD 0-18

TO BOARD 0-5

TO BOARD 0-6

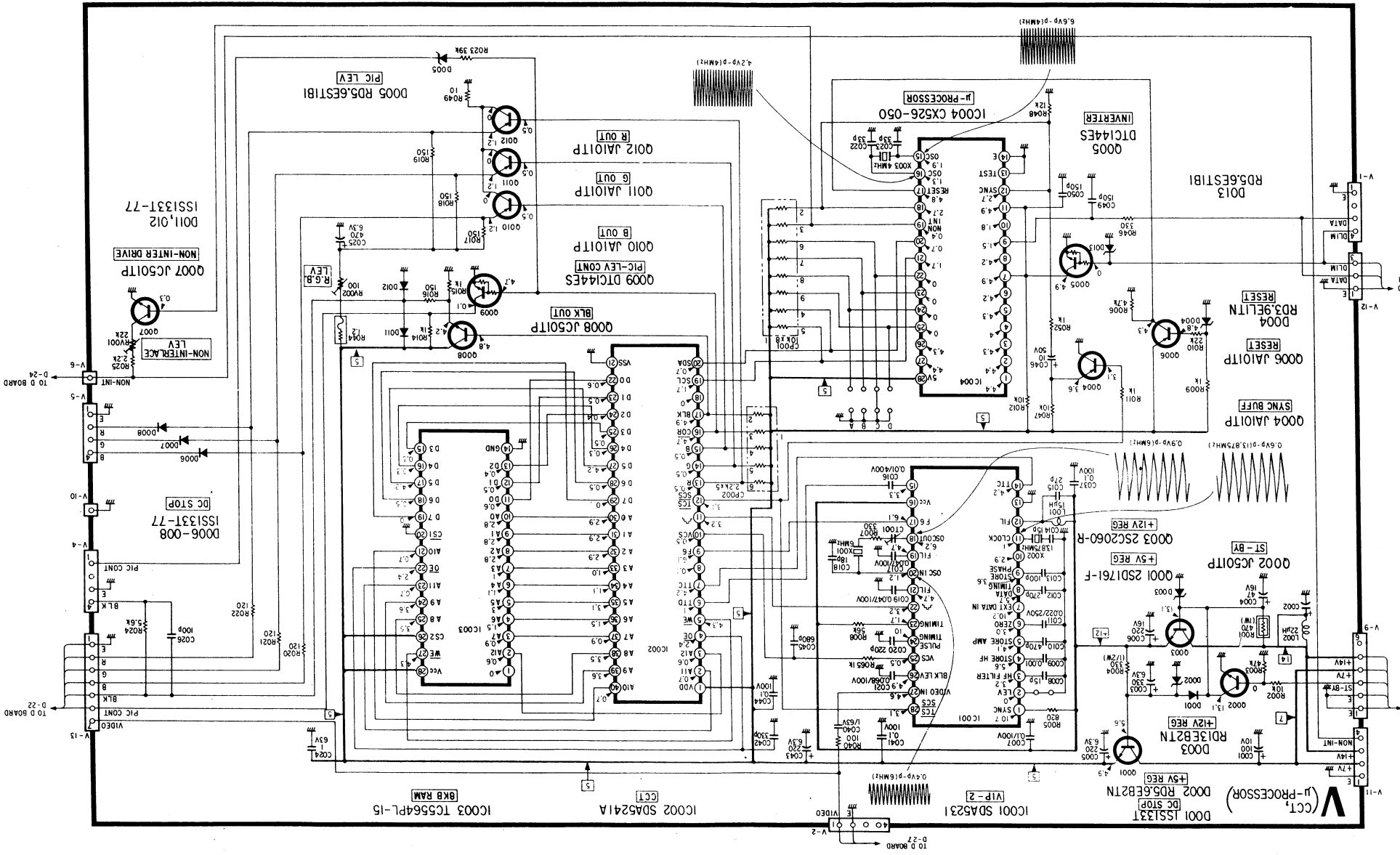
TO BOARD 0-7

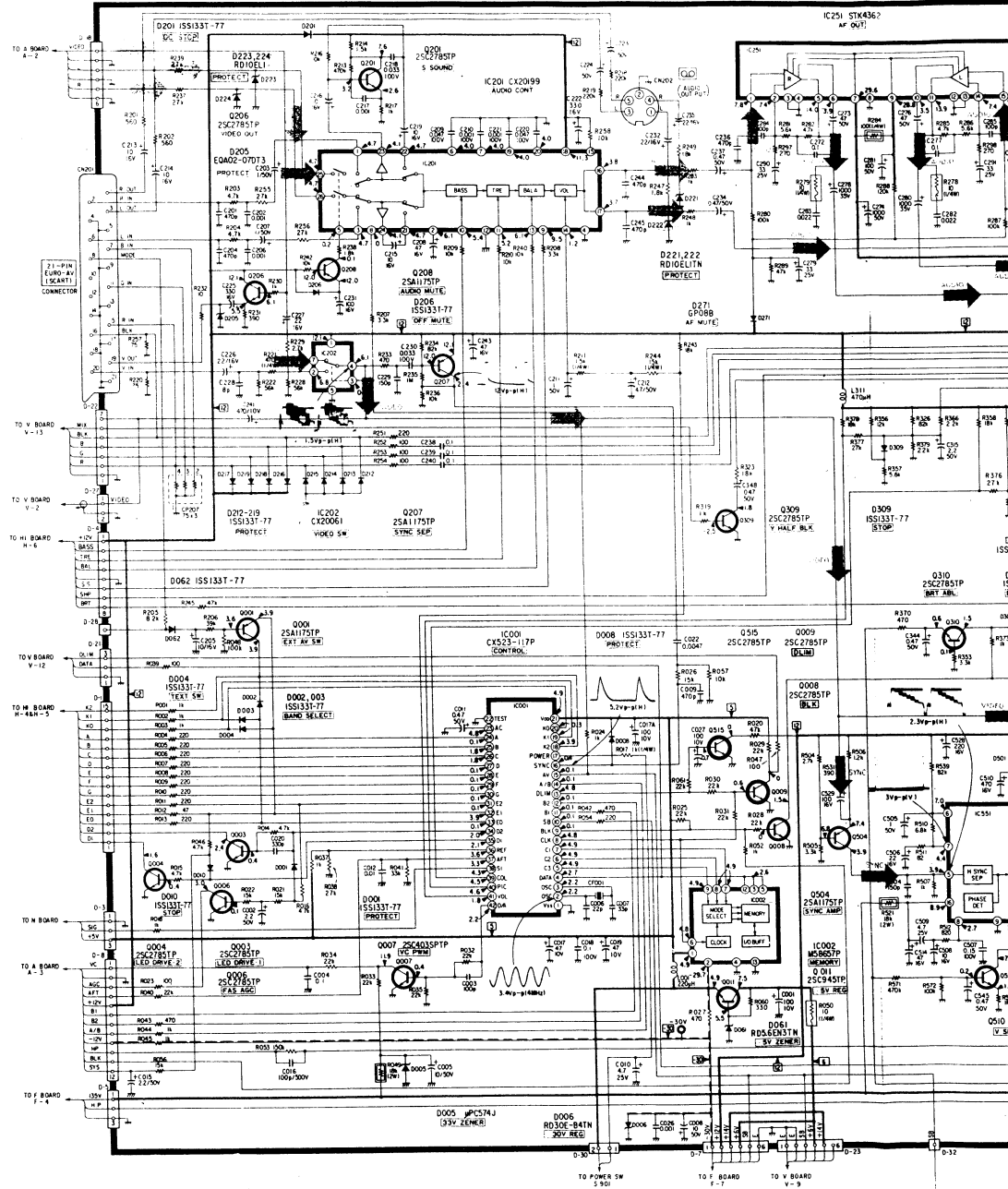
TO BOARD 0-8

TO BOARD 0-9

TO BOARD 0-10

TO BOARD 0-11





IC251 STK4367
AF OUT

TO BOARD A-2

TO BOARD V-13

TO BOARD V-2

TO BOARD H-2

TO BOARD V-12

TO BOARD H-3

TO BOARD V-1

TO BOARD A-2

TO BOARD F-4

TO BOARD F-7

TO BOARD V-9

D005 ICPS74J
3V ZENER

D006 RD30E-B4TN
20V REG

TO POWER SW
5.50V

TO BOARD F-7

TO BOARD V-9

